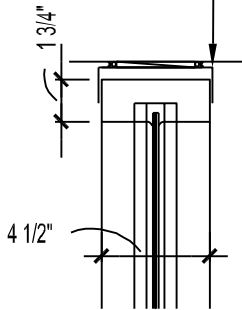
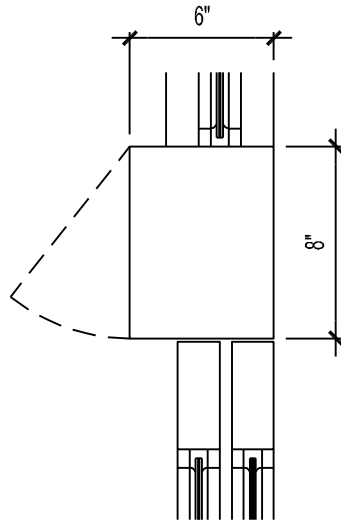


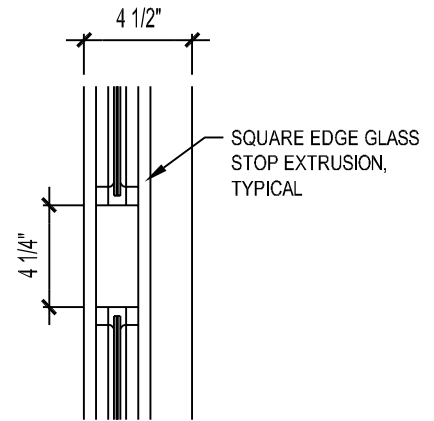
TWO PIECE TELESCOPING  
FRAMING MEMBERS FOR  
DEFLECTION ALLOWANCE



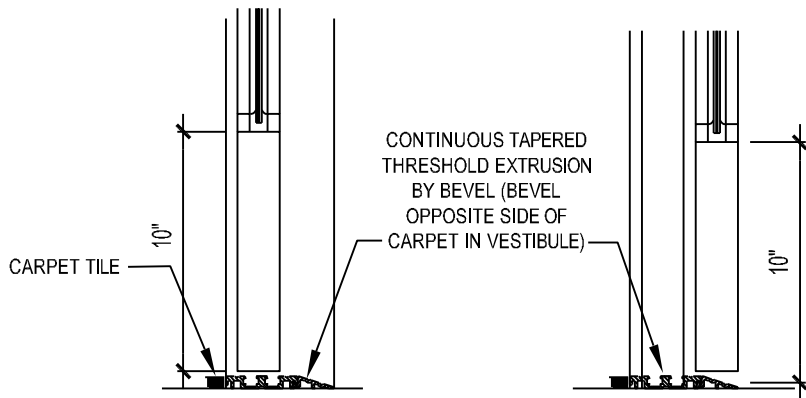
1 TRANSOM HEAD



2 DOOR OPERATOR

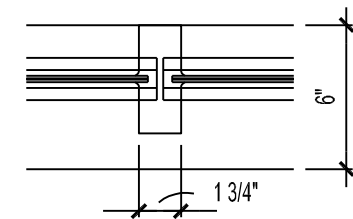


3 MUNTIN

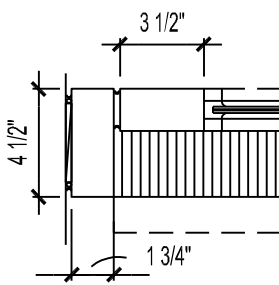


4 BOTTOM RAIL  
AT DOOR OPENING

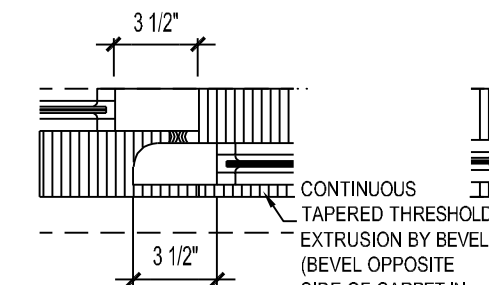
5 BOTTOM RAIL  
AT SIDELIGHT



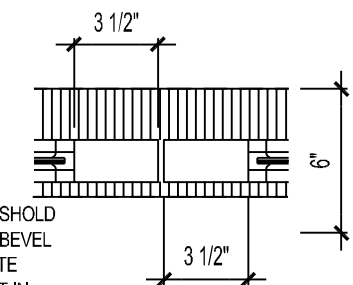
6 TRANSOM JAMB



7 JAMB



8 SIDELIGHT JAMB



9 CENTER JAMB

DETAILS ARE APPLICABLE TO SLIDING AUTOMATIC ENTRANCE DOORS  
WITH EMERGENCY BREAKOUT SIDELIGHTS (SO-SX-SX-S0)

DATE	DEFENSE COMMISSARY AGENCY DIRECTORATE OF ENGINEERING FORT LEE, VIRGINIA - LACKLAND AFB, TEXAS		DESIGN STANDARD
JUN 2022	TITLE	SLIDING AUTOMATIC ENTRANCE DOORS AT VESTIBULES WITH ENTRANCE CARPET TILE	084229.23-04
	REF.		
	REV.		